

# EAGLE TECHNICAL BULLETIN

REF. TCCA STC: SH14-47  
REF. FAA STC: SR03496NY

Eagle Technical Bulletin Number: **TB-E407-789-2**

Purpose: Installation of 0789-03-017-3 engine mount bushings.

Eligible Serial Numbers: 53494, 53585

**Compliance: This bulletin shall be complied with at the next 300 hour inspection. The intent of this bulletin has been incorporated into Eagle 407HP aircraft converted after March 2016.**


Description: Eagle Copters has found that the gap between the end of 0789-03-017-1 bushing and the 0789-03-010-1 engine mount fitting is too large. This has been addressed by creating a 0789-03-017-3 bushing to replace the 0789-03-017-1 bushing. Compliance with this Technical Bulletin requires the parts listed in Table 1 below.

Parts List: Table 1

QTY. -011	PART NUMBER	DESCRIPTION
X	TB-E407-789-2-011	BUSHING UPGRADE KIT
2	0789-03-017-3	BUSHING

Weight and Balance: The incorporation of this TB has negligible effect on the aircraft weight and balance.

CANADA DEPARTMENT OF TRANSPORT AIRCRAFT CERTIFICATION BRANCH DAO # 01-O-01	
<b>APPROVED</b>	
BY: 	
D. SHEPHERD (DE # 02)	
DATE: _____	16.03.21
CERT. NO.: _____	SH14-47
ISSUE NO.: _____	1

A	INITIAL RELEASE	DJS	16.03.21
REV.	DESCRIPTION	BY	DATE
DESIGN	DJS	<b>EAGLE COPTERS LTD</b>	
DRAWN	DJS	CALGARY, ALBERTA, CANADA	
CHECKED	VS	DRAWING NO.	REV. A
MFG. APPR.	ASH	TB-E407-789-2	SHEET 1 OF 3
APPROVED	HS	TITLE	SCALE
DE APPR.	DS 	TECHNICAL BULLETIN	NTS
DATE	16.03.21	<small>COPYRIGHT © 2016 BY EAGLE COPTERS LTD THIS DOCUMENT IS PRIVATE AND CONFIDENTIAL AND IS SUPPLIED ON THE EXPRESS CONDITION THAT IT IS NOT TO BE USED FOR ANY PURPOSE OR COPIED OR COMMUNICATED TO ANY OTHER PERSON WITHOUT WRITTEN PERMISSION FROM EAGLE COPTERS LTD.</small>	

Procedure:

1. Remove 0789-02-060-1 top cowl, 0789-02-117-1 upper cowl, 0789-02-155-1 and 0789-02-155-2 lower engine cowls per ICA-E407-789, Chapter 53, Section 7.
2. Support HTS900-2-1D engine using hoist and lifting tool.
3. Remove lower end of 0789-02-006-1 monopod from 0789-03-010-1 engine mount fitting.
4. Press out 0789-03-017-1 bushing and press in 0789-03-017-3 bushing with Loctite 609.
5. Reattach 0789-02-006-1 monopod using existing hardware per Figure 1 and torque per AC43.13, Chapter 7, Section 3.
6. Repeat steps 3-5 on the opposite side 0789-03-010-2 engine mount fitting.
7. Remove engine hoist and lifting tool.
8. Install 0789-02-060-1 top cowl, 0789-02-117-1 upper cowl, 0789-02-155-1 and 0789-02-155-2 lower engine cowls per ICA-E407-789, Chapter 53, Section 7.
9. Notify Eagle Copters that this Technical Bulletin has been accomplished by filling out the attached form (sheet 3) and emailing it back to Eagle Copters.
10. Make entry into aircraft technical reports to indicate TB-E407-789-2 has been completed.

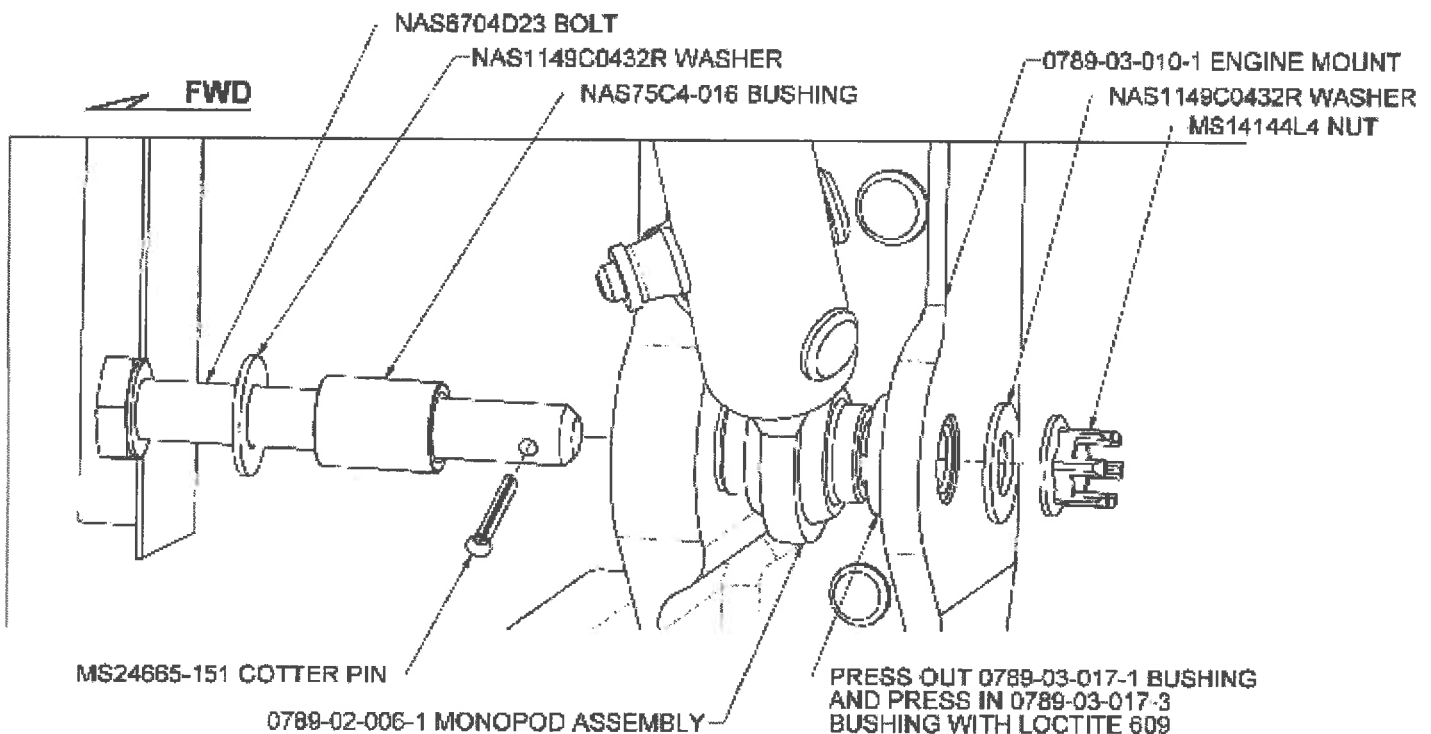


Figure 1: 0789-03-017-3 Bushing Installation

DESIGN	DJS	<b>EAGLE COPTERS LTD</b>	
DRAWN	DJS	CALGARY, ALBERTA, CANADA	
CHECKED	VS	DRAWING NO.	REV. A
MFG. APPR.	ASH	TB-E407-789-2	SHEET 2 OF 3
APPROVED	HS	TITLE	SCALE
DE APPR.	DS	<b>TECHNICAL BULLETIN</b>	NTS
DATE	16.03.21	<small>COPYRIGHT © 2016 BY EAGLE COPTERS LTD          THIS DOCUMENT IS PRIVATE AND CONFIDENTIAL AND IS SUPPLIED ON THE EXPRESS CONDITION THAT IT IS NOT TO BE USED FOR ANY PURPOSE OR COPIED OR COMMUNICATED TO ANY OTHER PERSON WITHOUT WRITTEN PERMISSION FROM EAGLE COPTERS LTD.</small>	

NOTIFY EAGLE COPTERS THAT THE TB-E407-789-2 HAS BEEN INCORPORATED INTO THE AIRCRAFT LISTED BELOW.

AIRCRAFT SERIAL NUMBER: \_\_\_\_\_

AIRCRAFT OWNER: \_\_\_\_\_

DATE TB-E407-789-2 WAS INCORPORATED ON THE ABOVE AIRCRAFT:

\_\_\_\_\_


SIGNATURE OF PERSON RESPONSIBLE FOR ENTRY INTO AIRCRAFT TECHNICAL RECORD:

\_\_\_\_\_

PRINT NAME OF PERSON RESPONSIBLE FOR ENTRY INTO AIRCRAFT TECHNICAL RECORD:

\_\_\_\_\_

Email this page to: [mboyce@eaglecopters.com](mailto:mboyce@eaglecopters.com)

DESIGN	DJS	<b>EAGLE COPTERS LTD</b>	
DRAWN	DJS	CALGARY, ALBERTA, CANADA	
CHECKED	VS	DRAWING NO.	REV. A
MFG. APPR.	ASH	TB-E407-789-2	SHEET 3 OF 3
APPROVED	HS	TITLE	SCALE
DE APPR.	DS 	TECHNICAL BULLETIN	NTS
DATE	16.03.21	COPYRIGHT © 2016 BY EAGLE COPTERS LTD THIS DOCUMENT IS PRIVATE AND CONFIDENTIAL AND IS SUPPLIED ON THE EXPRESS CONDITION THAT IT IS NOT TO BE USED FOR ANY PURPOSE OR COPIED OR COMMUNICATED TO ANY OTHER PERSON WITHOUT WRITTEN PERMISSION FROM EAGLE COPTERS LTD.	