

EAGLE TECHNICAL BULLETIN

REF. TCCA STC: SH14-47
REF. FAA STC: SR03496NY

Eagle Technical Bulletin Number: **TB-E407-789-5**

Purpose: To add option for Quick Disconnect Chip Detector

Eligible Serial Numbers: 53585, 53494, 53868, 53641

Compliance: Optional

Description:

Eagle Copters has developed this Technical Bulletin to provide an optional Quick Disconnect Chip Detector to facilitate inspection of the chip detector and prevent oil from draining when chip detector is removed. Compliance with this Technical Bulletin requires the parts listed in Table 1 below:

Parts List:

Table 1

QTY -011	PART NUMBER	DESCRIPTION
X	TB-E407-789-5-011	CHIP DETECTOR UPGRADE KIT
1	0789-03-304-1	SELF CLOSING VALVE
1	0789-03-305-1	ENGINE CHIP DETECTOR
1	M85049/126S11S	BACKSHELL, 90, ST RELIEF (4962-P2)
1	D38999/26KB98SC	CONNECTOR (4962-P2)
1	*M39029/56-351	SOCKETS
1	M83248/2-908	O-RING

△ B

* INCLUDED WITH D38999/26KB98SC CONNECTOR

Weight and Balance:

The incorporation of this TB has a negligible effect on the aircraft weight and balance

CANADA
DEPARTMENT OF TRANSPORT
AIRCRAFT CERTIFICATION
BRANCH
DAO # 01-O-01

APPROVED

BY: *D. Shepherd*
D. SHEPHERD (DE # 02)

DATE: _____ 16.06.13
CERT. NO.: _____ SH14-47
ISSUE NO.: _____ 1

APPROVED

B	CORRECTED TYPO IN PARTS LIST (26KB98SC WAS 26YB98SC)	AK	16.06.13
A	NEW ISSUE	AK	16.05.18
REV.	DESCRIPTION	BY	DATE
DESIGN	AK	EAGLE COPTERS LTD CALGARY, ALBERTA, CANADA	
DRAWN	AK		
CHECKED	VS	DRAWING NO.	REV. B
MFG. APPR.	KC	TB-E407-789-5	SHEET 1 OF 4
APPROVED	HS	TITLE	SCALE
DE APPR.	DS	CHIP DETECTOR UPGRADE	NTS
DATE	16.06.13	<small>COPYRIGHT © 2016 BY EAGLE COPTERS LTD. THIS DOCUMENT IS PRIVATE AND CONFIDENTIAL AND IS SUPPLIED ON THE EXPRESS CONDITION THAT IT IS NOT TO BE USED FOR ANY PURPOSE OR COPIED OR COMMUNICATED TO ANY OTHER PERSON WITHOUT WRITTEN PERMISSION FROM EAGLE COPTERS LTD.</small>	

Procedure:

1. Remove existing 0789-03-306-1 Engine Oil Chip Detector.
2. Install 0789-03-304-1 Self Closing Valve into existing 0789-03-086-1 Chip Detector Housing per Figure 1 of this TB.
3. Install 0789-03-305-1 Engine Oil Chip Detector into 0789-03-304-1 Self Closing Valve per Figure 1 of this TB.
4. Re-wire Engine Oil Chip Detector per Figure 2 of this TB.
5. Notify Eagle Copters that this Technical Bulletin has been accomplished by filling the attached form (sheet 4) and emailing it to Eagle Copters.
6. Make entry into aircraft technical reports to indicate TB-E407-789-5 has been completed.
7. Check engine oil level and engine oil pressure before starting aircraft.

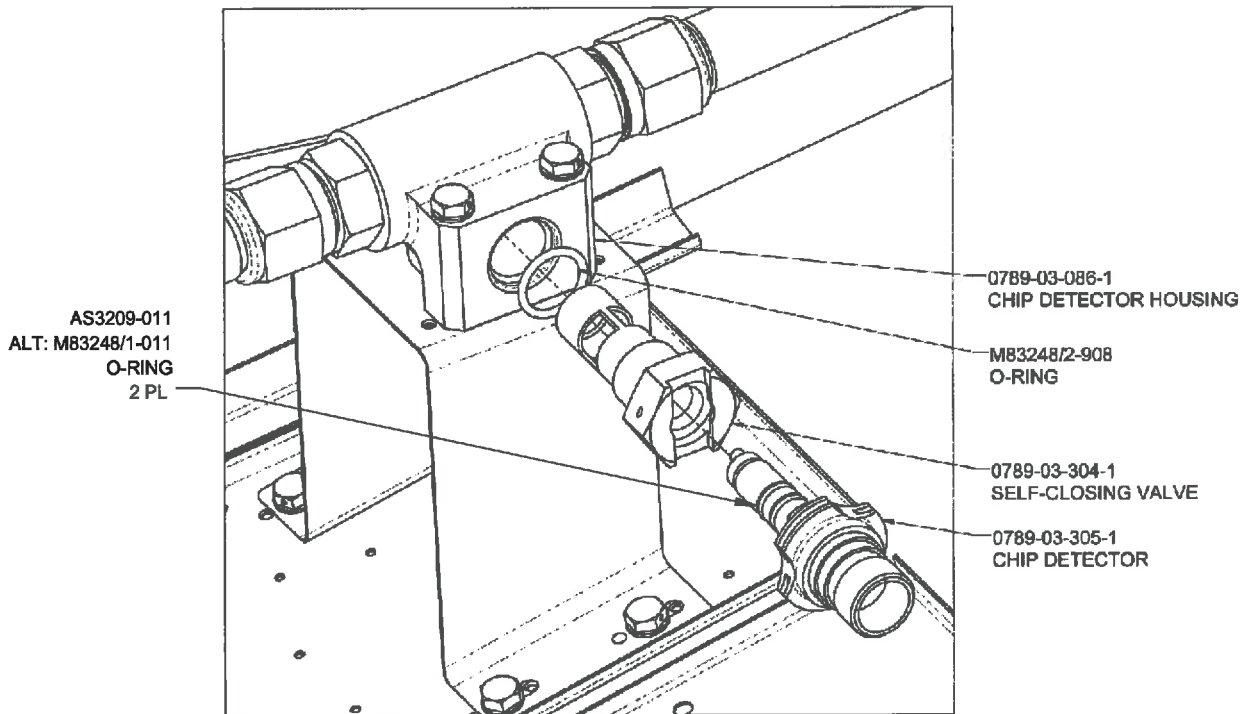
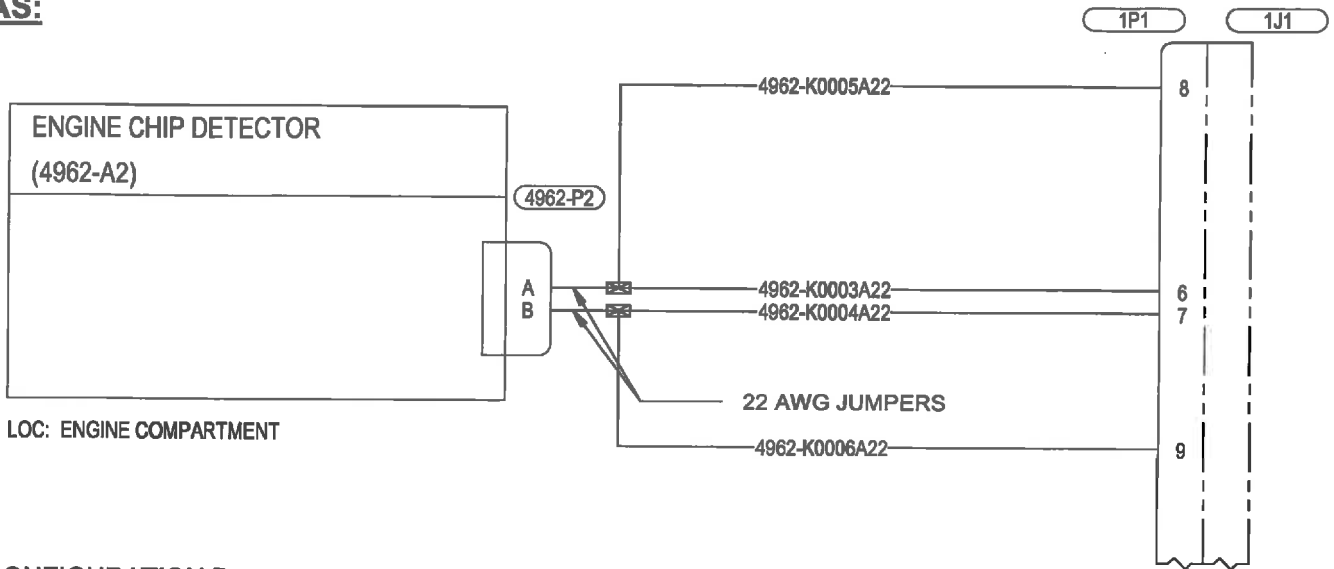


FIGURE 1: CHIP DETECTOR UPGRADE INSTALLATION

APPROVED	DESIGN	AK	EAGLE COPTERS LTD CALGARY, ALBERTA, CANADA	
	DRAWN	AK		
	CHECKED	VS	DRAWING NO.	REV. B
	MFG. APPR.	KC	TB-E407-789-5	SHEET 2 OF 4
	APPROVED	HS	TITLE	SCALE
	DE APPR.	DS	CHIP DETECTOR UPGRADE	NTS
DATE	16.06.13		COPYRIGHT © 2016 BY EAGLE COPTERS LTD. THIS DOCUMENT IS PRIVATE AND CONFIDENTIAL, AND IS SUPPLIED ON THE EXPRESS CONDITION THAT IT IS NOT TO BE USED FOR ANY PURPOSE OR COPIED OR COMMUNICATED TO ANY OTHER PERSON WITHOUT WRITTEN PERMISSION FROM EAGLE COPTERS LTD.	

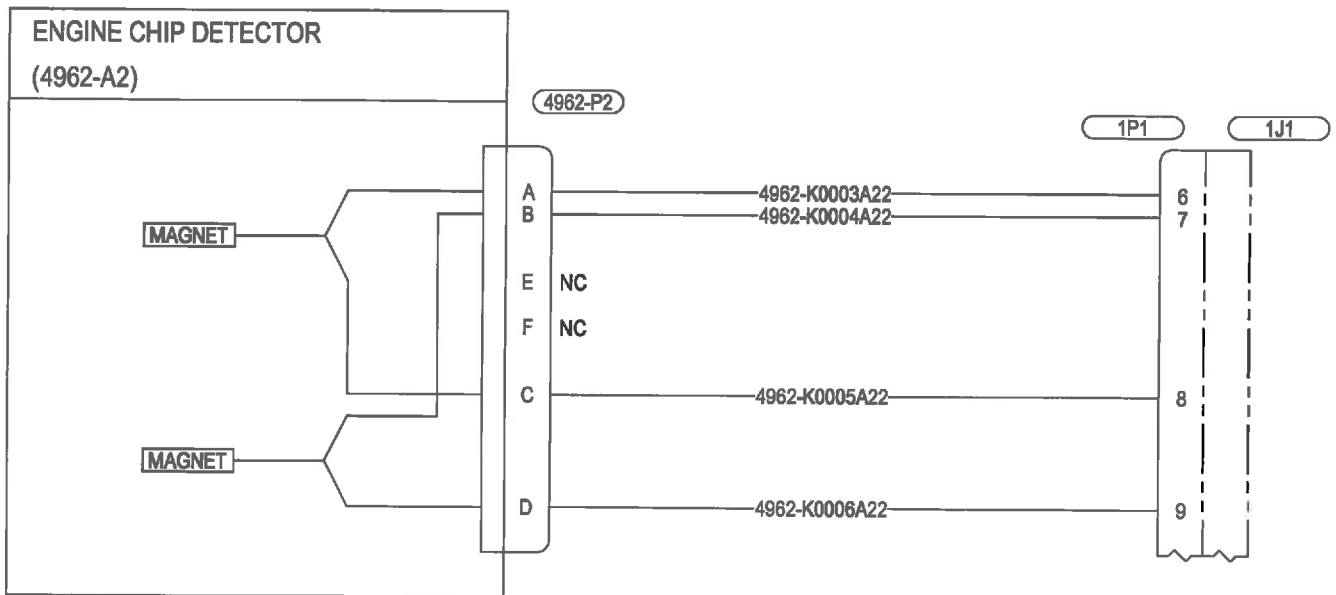
WAS:



LOC: ENGINE COMPARTMENT

CONFIGURATION B 0789-17-012-2

IS:



LOC: ENGINE COMPARTMENT

CONFIGURATION C 0789-17-012-1

FIGURE 2: CHIP DETECTOR UPGRADE WIRING

APPROVED

DESIGN	AK	EAGLE COPTERS LTD CALGARY, ALBERTA, CANADA	
DRAWN	AK		
CHECKED	VS	DRAWING NO.	REV. B
MFG. APPR.	KC	TB-E407-789-5	SHEET 3 OF 4
APPROVED	HS	TITLE	SCALE
DE APPR.	DS	CHIP DETECTOR UPGRADE	NTS
DATE	16.06.13	COPYRIGHT © 2016 BY EAGLE COPTERS LTD. THIS DOCUMENT IS PRIVATE AND CONFIDENTIAL AND IS SUPPLIED ON THE EXPRESS CONDITION THAT IT IS NOT TO BE USED FOR ANY PURPOSE OR COPIED OR COMMUNICATED TO ANY OTHER PERSON WITHOUT WRITTEN PERMISSION FROM EAGLE COPTERS LTD.	

NOTIFY EAGLE COPTERS THAT THE TB-E407-789-5 HAS BEEN INCORPORATED INTO THE AIRCRAFT LISTED BELOW.

AIRCRAFT SERIAL NUMBER: _____

AIRCRAFT OWNER: _____

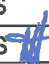
DATE TB-E407-789-5 WAS INCORPORATED ON THE ABOVE AIRCRAFT:

SIGNATURE OF PERSON RESPONSIBLE FOR ENTRY INTO AIRCRAFT TECHNICAL RECORD:

PRINT NAME OF PERSON RESPONSIBLE FOR ENTRY INTO AIRCRAFT TECHNICAL RECORD:

Email this page to: mboyce@eaglecopters.com

APPROVED

DESIGN	AK	EAGLE COPTERS LTD CALGARY, ALBERTA, CANADA	
DRAWN	AK		
CHECKED	VS	DRAWING NO.	REV. B
MFG. APPR.	KC	TB-E407-789-5	SHEET 4 OF 4
APPROVED	HS	TITLE	SCALE
DE APPR.	DS 	CHIP DETECTOR UPGRADE	NTS
DATE	16.06.13	<small>COPYRIGHT © 2016 BY EAGLE COPTERS LTD. THIS DOCUMENT IS PRIVATE AND CONFIDENTIAL AND IS SUPPLIED ON THE EXPRESS CONDITION THAT IT IS NOT TO BE USED FOR ANY PURPOSE OR COPIED OR COMMUNICATED TO ANY OTHER PERSON WITHOUT WRITTEN PERMISSION FROM EAGLE COPTERS LTD.</small>	